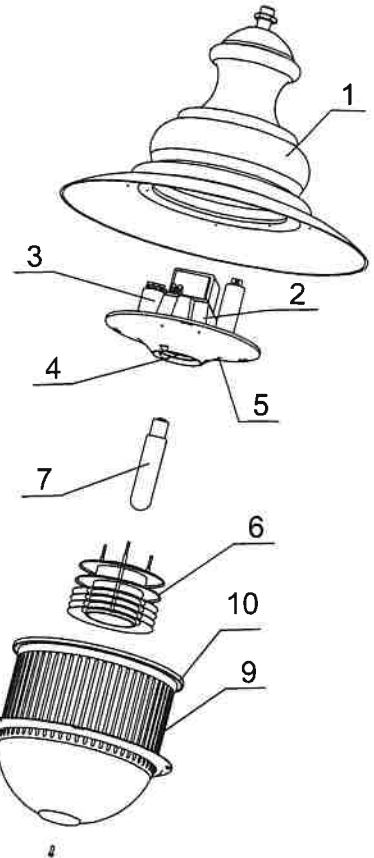


**Construction:**

The unit consists of a lamp body (1) with an in-built tray (2) holding an igniter module (3) and a lampholder (4). The tray is covered by a housing (5), to which a RASTER (ODB-3) reflector (6) can additionally be fixed. The tightness of the connection between the housing and the lamp base is provided by a gasket (8). A lamp (7) is put in the lampholder. A shade (9) is fitted to the lamp body (1).

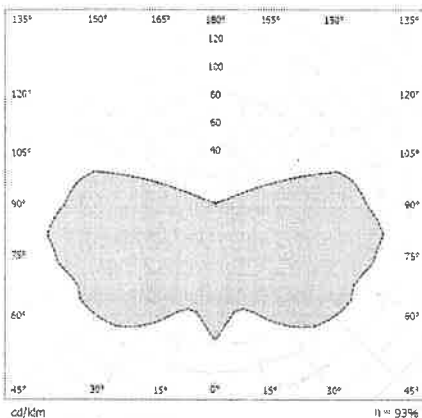
**Mounting instructions:**

- \*)-Mount the igniter module (3) and the lampholder (4) on the tray (2).
- \*)-Fix the tray (4) to the lamp body (1)
- Connect the electrical system of the pole to the igniter module(3).
- Fix the housing (5) complete with the gasket (8) to the lamp body (1).
- Put the bulb (7) in position.
- Attach the RASTER reflector (6) to the housing (5) with the bolts.
- Screw the shade (9) all the way into the female threaded lamp body.



If any lantern elements are supplied factory-mounted, the mounting stages marked with \*) should be omitted (as this has already been done by the manufacturer)

**TECHNICAL DATA:**



Photometry (polar plot)

**Power: ~230/50Hz**

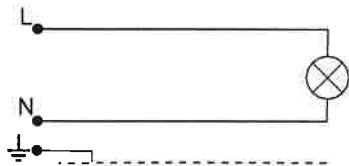
**Protective class: I**

**IP66 -electrical part**

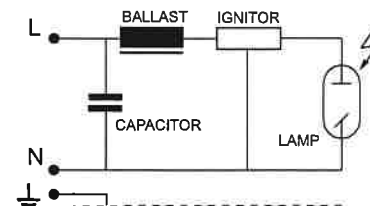
**IP66 -optical part**



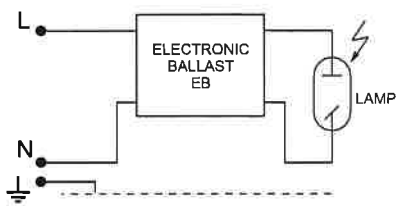
**ELECTRICAL DIAGRAM:**



1. Incandescent bulb

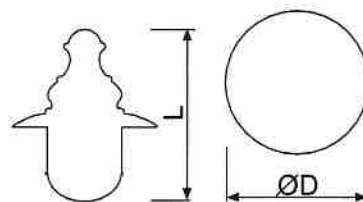


2. Sodium / metal halide lamps



3. Sodium / metal halide lamps

**Luminary dimensions**



Wind area  
A = 0,13m<sup>2</sup>

L/D  
560/490



**WARNING !!** The weight of the unit may slightly differ for individual production batches.



# LATARNIE STYLOWE

## Korony Crowns



## LATARNIE STYLOWE

## Latarnia stylowa

**Dane produktu***Product data***Wysokość***Height***6 - 8 m****Mocowanie oprawy***Fitting luminaire***bezpośrednio na słupie lub poprzez koronę**  
*directly on the pole or through the crown***Material***Material***stal i aluminium**  
*steel and aluminium***Kolor***Color***RAL 9005**